

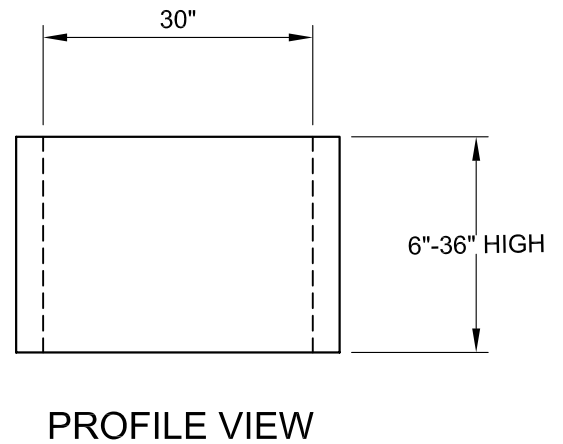
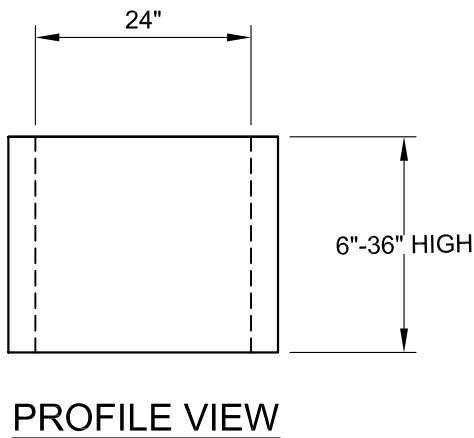
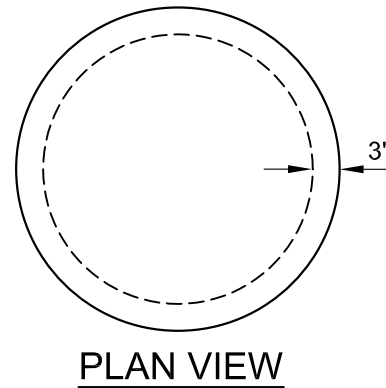
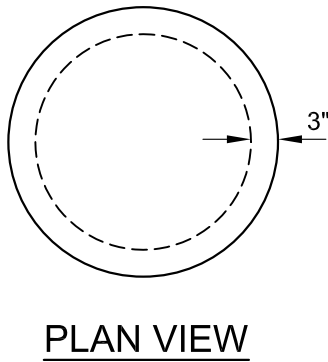
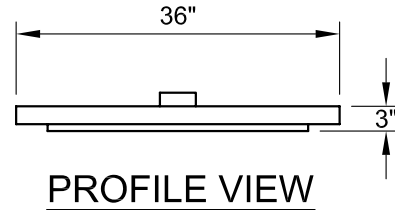
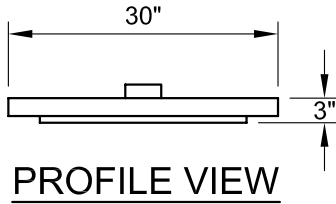
# LIGHT DUTY EXTENSIONS & COVERS

SPECIFICATIONS/MODERN PRECAST CONCRETE STANDARDS:

- CONCRETE STRENGTH: 4000 PSI MIN. @ 28 DAYS
- REINFORCING CONFORMS TO ASTM A615 & A185
- DESIGN: NO TRAFFIC LOADS



**Environmental & Wastewater Division**



**Modern ... Concrete Solutions**

Modern Precast Concrete  
Corporate Headquarters | 210 Durham Road, PO Box 339 | Ottsville, PA 18942  
(610) 847-5112 | F (610) 847-1046 | [www.modcon.com](http://www.modcon.com)